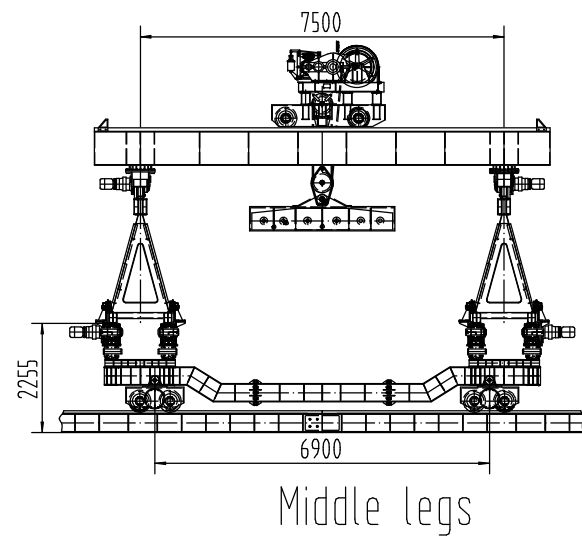
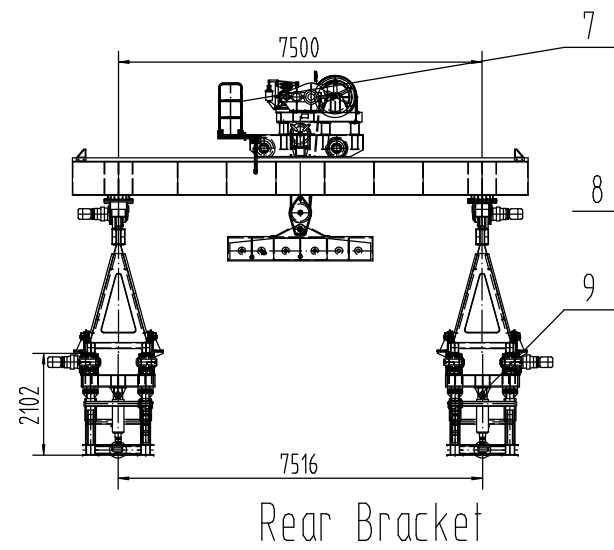


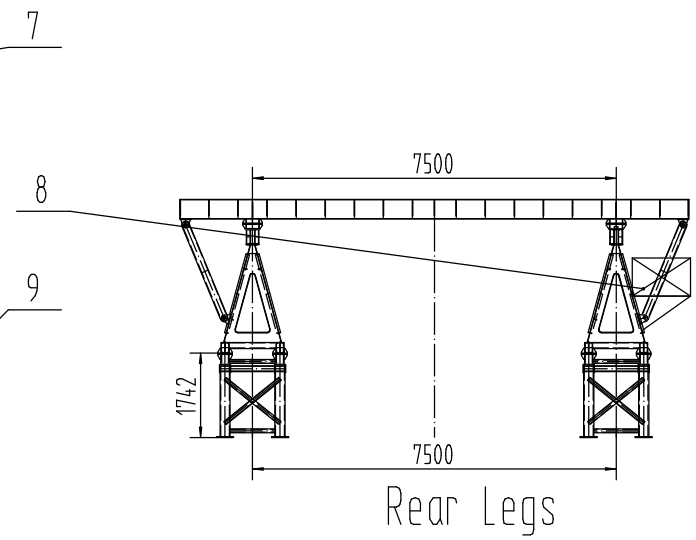
Front Legs



Middle legs



Rear Bracket



Rear Legs

HZQ40/160 Main Technical Parameters

Model	HZQ40/160	Trolley Transverse Speed	1.4m/min
Rated Lifting Capacity	160t	Lifting Speed	0.7m/min
span	40m	Structure	Double Honeycomb Continuous Girder
Adaptive Slope	Longitudinal Slope $\leq \pm 3\%$, Transverse Slope $\leq \pm 4\%$	Type of Striding Piers	Walking type
Skew Bridge Intersection Angle	0-45°	Safety Factor	>1.25
Adaptive Curve Radius	>400m	Working Allowable Wind	<6 grade
The Whole Machine Longitudinal Speed	4.6m/min	Center Distance Between Two Main Girders	7.5m
The Whole Machine Transverse Speed	3.31m/min	Error	<5mm
Trolley Longitudinal Speed	4.6m/min	Total Power	About 95KW

9	HZQ40/160-9-00	Hydraulic Control System	1	Component		
8	HZQ40/160-8-00	Electrical System	1	Component		
7	HZQ40/160-7-00	Accessories	1	Component		
6	HZQ40/160-6-00	Rear Legs	2	Component		
5	HZQ40/160-5-00	Rear Bracket	2	Component		
4	HZQ40/160-4-00	Middle Legs	1	Component		
3	HZQ40/160-3-00	Lifting Trolley	2	Component		
2	HZQ40/160-2-00	Front Legs	1	Component		
1	HZQ40/160-1-00	Main Girder	1	Weldment		
No.	Code Name	Name	Quantity	Material	Single-Piece Weight	Total Weight
Zhengzhou Huazhong Construction Machinery Co., Ltd.						
HZQ40/160 Bridge Girder Launcher						
Assembly Schematic Diagram						
Marker	Places	Area	Modification	Signature	Year, Month, Date	
Design			Standard			
Check						
Technology			Authorize			
				Phase Marker	Weight Proportion	
					1:220	
				Total Pieces	Piece	
HZQ40/160-0						