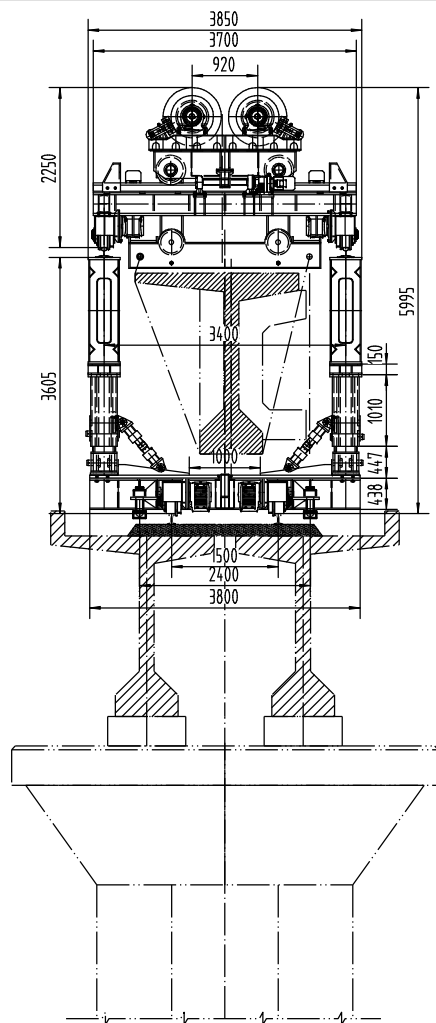
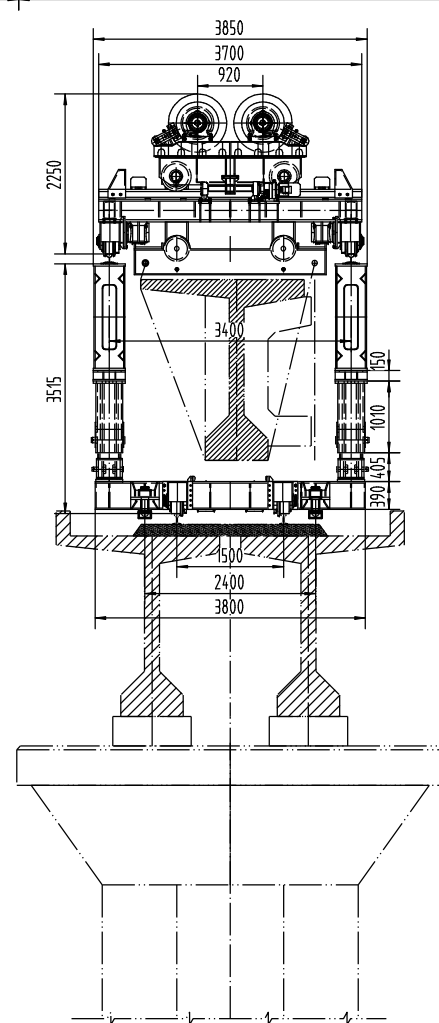


Front Legs



Middle legs



Rear Legs

Main Technical Parameters

Model	HZQ32/165T
Span	32m
Rated Lifting Capacity	165t
Crane Moving Speed	4-8m/min
Trolley Moving Speed	2.75m/min
Lifting Speed	0.5m/min
Center Distance Between Two Main Girders	3.4m
Transporter Gauge	1.435m
Working Allowable Wind	<6grade
Adaptive Curve Radius	>700m
Self Weight	About 160T (without gantry)
Total Power	About 130KW

3	HZQ32/165T-3-00	Auxiliary Trolley	2	Component					
2	HZQ32/165T-2-00	Main Longitudinal girder	2	Component					
1	HZQ32/165T-1-00	Front Legs	1	Component					
No.	Code Name	Name	Quantity	Material	Single-Piece Weight	Total Weight	Remark		
								Zhengzhou Huazhong Construction Machinery Co., Ltd	
								HZQ32/165T Bridge Girder Launcher	
								Phase Marker	Weight Proportion
								About 160T	1:150
								Total Pieces	Piece
								HZQ32/165T-0	

10	HZQ32/165T-10-00	Hydraulic Control System	3sets						
9	HZQ32/165T-9-00	Trailer with power	1	Component					
8	HZQ32/165T-8-00	Transporter	2	Component					
7	HZQ32/165T-7-00	Electrical System	1set						
6	HZQ32/165T-6-00	Rear Legs	1	Component					
5	HZQ32/165T-5-00	Middle Legs	1	Component					
4	HZQ32/165T-4-00	Trolley	2	Component					